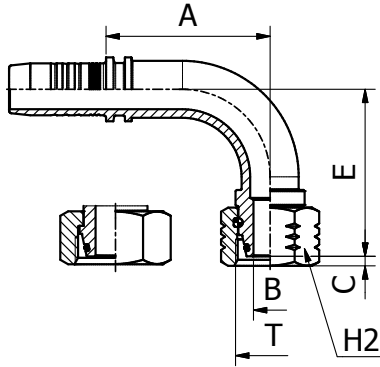


DIN STANDARD CONNECTIONS

M21592/M21593

90° METRIC O-RING FEMALE SWEPT ELBOW
24° CONE LIGHT DUTY
DIN 20066 / ISO 12151-2



PART. REF.	HOSE BORE			Thread	Pipe	DIMENSIONS mm						
	DN	Dash	inch	T	mm	B	A	C	E	H2		
M21592-04-12	6	- 4	1/4"	M 12X1.5	6.0	3.0	28.5	2.2	32.5	17.0		
M21592-05-14	8	- 5	5/16"	M 14X1.5	8.0	4.0	31.0	2.9	33.0	17.0		
M21592-06-16	10	- 6	3/8"	M 16X1.5	10.0	6.0	35.5	3.0	40.0	19.0		
M21592-08-18	12	- 8	1/2"	M 18X1.5	12.0	7.0	44.0	2.9	48.0	22.0		
M21592-10-22	16	- 10	5/8"	M 22X1.5	15.0	9.3	53.5	3.0	57.5	27.0		
M21592-12-26	19	- 12	3/4"	M 26X1.5	18.0	12.5	61.5	2.3	63.0	32.0		
M21592-16-30	25	- 16	1"	M 30X2	22.0	15.0	79.5	4.2	80.5	36.0		
M21592-20-36	31	- 20	1.1/4"	M 36X2	28.0	19.8	93.5	5.0	92.0	41.0		
M21592-24-36	38	- 24	1.1/2"	M 36X2	28.0	19.8	97.0	5.0	68.0	41.0		
M21592-32-52	51	- 32	2"	M 52X2	42.0	32.0	131.0	5.6	119.0	60.0		
M21593-03-12	5	- 3	3/16"	M 12X1.5	6.0	3.0	26.0	0.7	30.0	14.0		
M21593-03-14	5	- 3	3/16"	M 14X1.5	8.0	4.0	29.0	1.3	31.5	17.0		
M21593-04-14	6	- 4	1/4"	M 14X1.5	8.0	4.0	29.5	1.3	31.5	17.0		
M21593-04-16	6	- 4	1/4"	M 16X1.5	10.0	6.0	29.5	1.8	32.0	19.0		
M21593-04-18	6	- 4	1/4"	M 18X1.5	12.0	7.0	29.5	2.0	33.0	22.0		
M21593-05-16	8	- 5	5/16"	M 16X1.5	10.0	6.0	32.0	1.8	32.5	19.0		
M21593-05-18	8	- 5	5/16"	M 18X1.5	12.0	7.0	32.0	2.0	32.5	22.0		
M21593-05-22	8	- 5	5/16"	M 22X1.5	15.0	9.3	36.0	1.5	35.0	27.0		
M21593-06-18	10	- 6	3/8"	M 18X1.5	12.0	7.0	36.5	2.0	33.5	22.0		
M21593-06-22	10	- 6	3/8"	M 22X1.5	15.0	9.3	36.5	1.5	35.0	27.0		
M21593-08-22	12	- 8	1/2"	M 22X1.5	15.0	9.3	45.0	1.5	39.5	27.0		
M21593-08-26	12	- 8	1/2"	M 26X1.5	18.0	12.5	45.0	2.0	40.0	32.0		
M21593-10-26	16	- 10	5/8"	M 26X1.5	18.0	12.5	51.5	2.0	53.0	32.0		
M21593-10-30	16	- 10	5/8"	M 30X2	22.0	15.0	51.5	3.0	54.0	36.0		
M21593-12-30	19	- 12	3/4"	M 30X2	22.0	15.0	61.5	3.0	59.5	36.0		
M21593-12-36	19	- 12	3/4"	M 36X2	28.0	19.8	61.5	3.7	61.0	41.0		
M21593-16-36	25	- 16	1"	M 36X2	28.0	19.8	76.5	3.7	69.5	41.0		
M21593-16-45	25	- 16	1"	M 45X2	35.0	26.0	79.0	4.0	72.0	50.0		
M21593-20-45	31	- 20	1.1/4"	M 45X2	35.0	26.0	93.5	4.0	81.0	50.0		
M21593-24-52	38	- 24	1.1/2"	M 52X2	42.0	32.0	107.5	4.5	98.0	60.0		